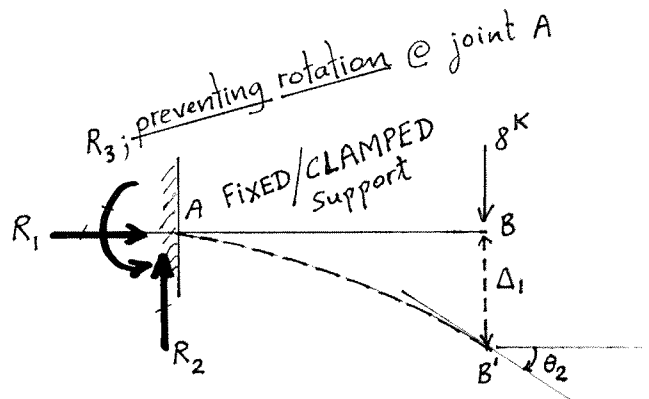
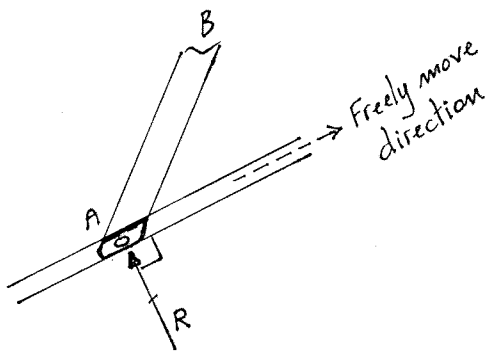
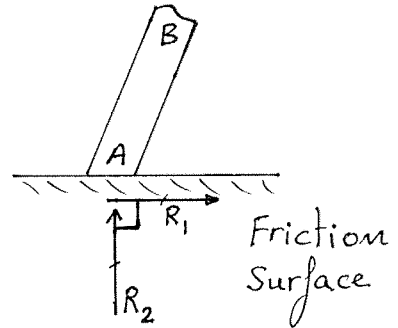
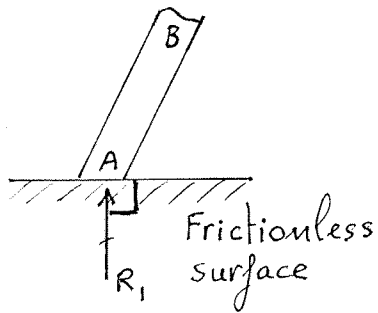
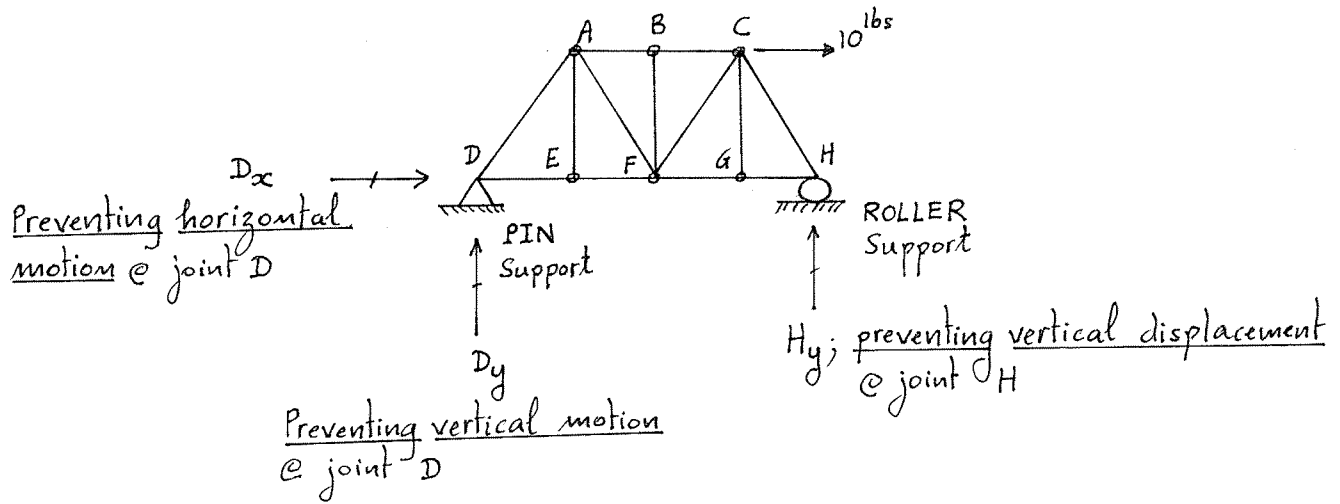
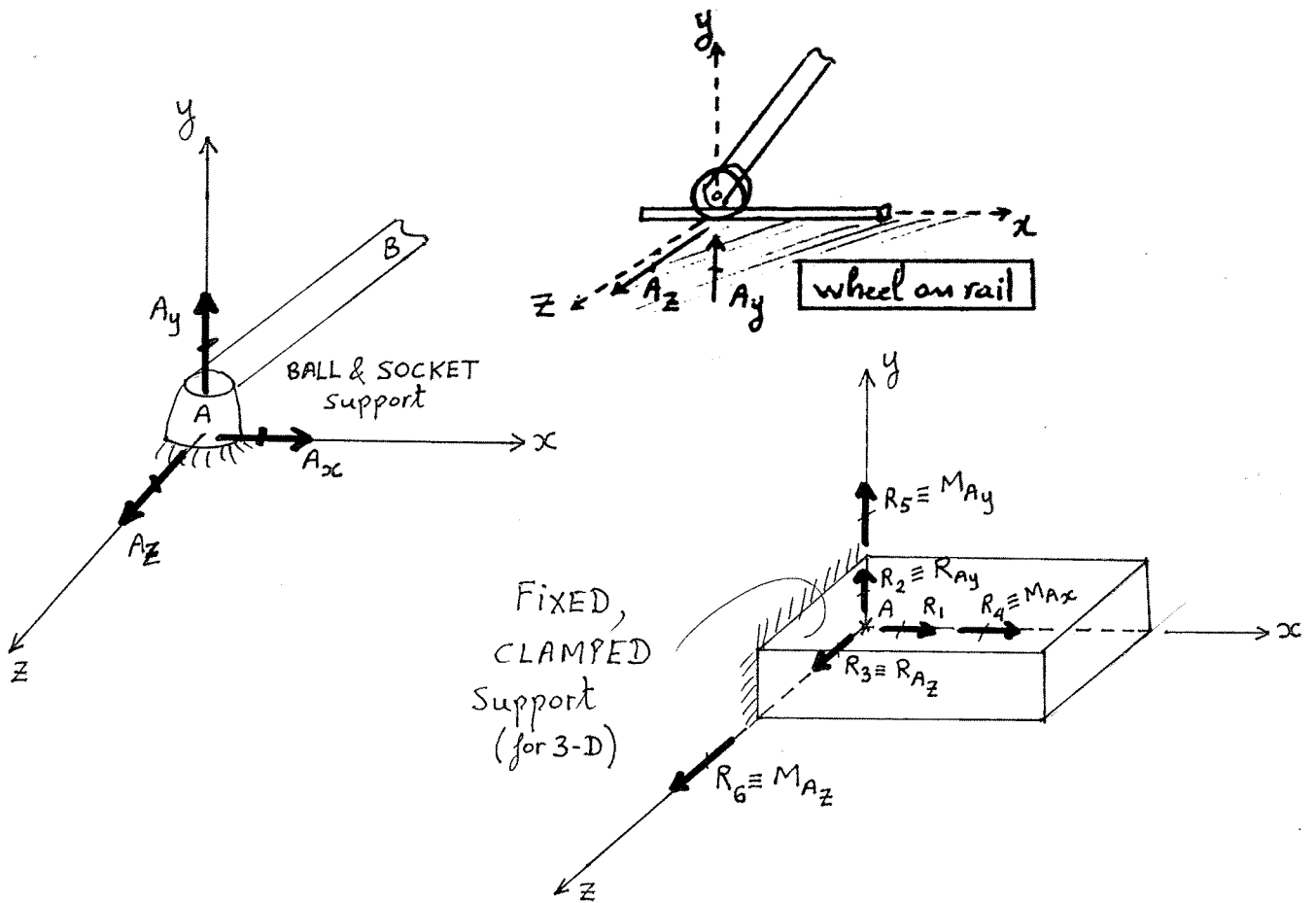


Chapter 4: Equilibrium of Rigid Bodies





Equilibrium of 2-Force, and 3-Force Bodies

